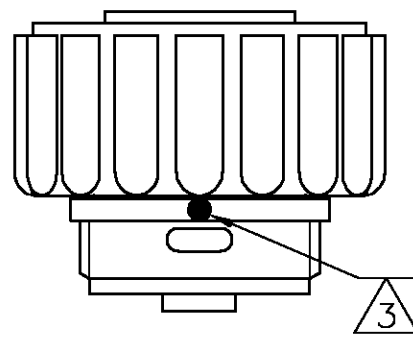
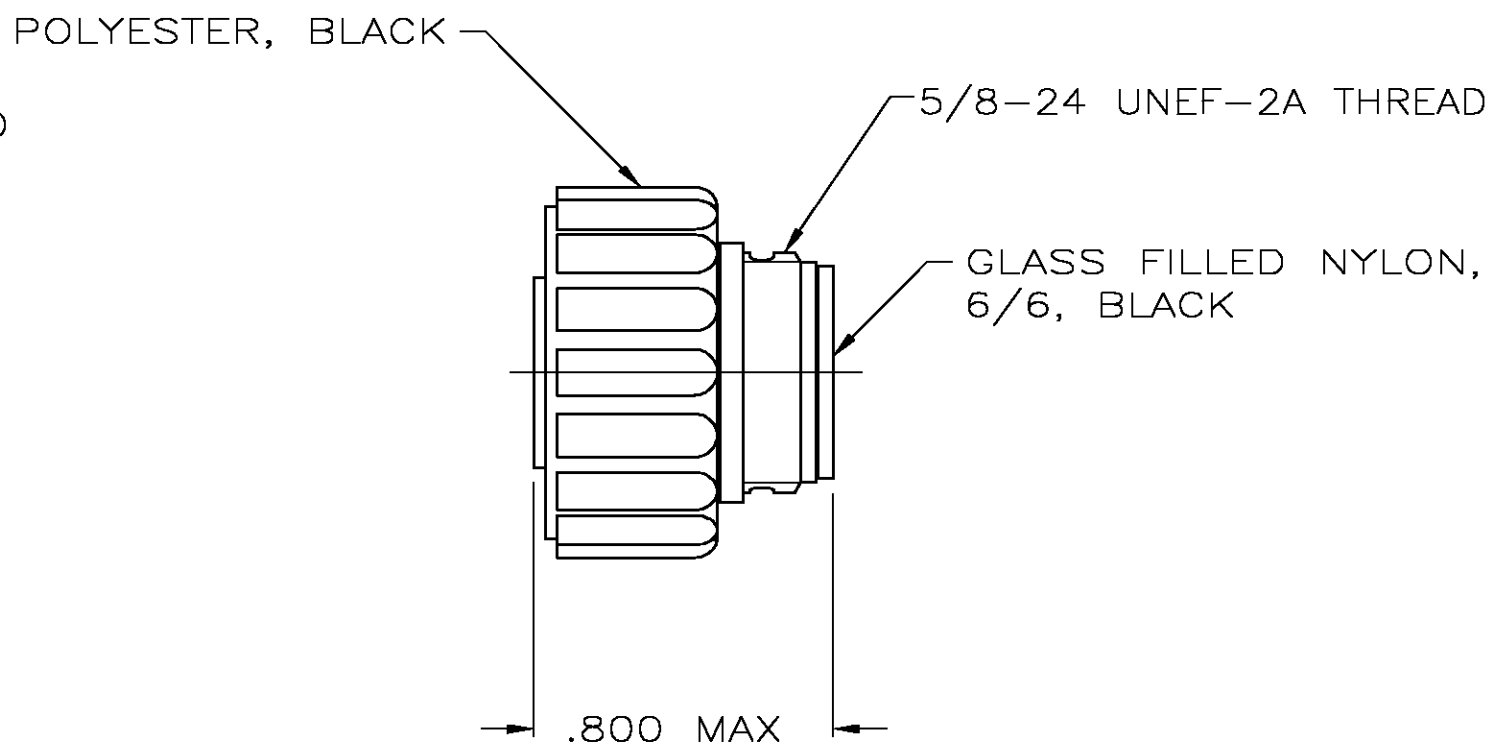
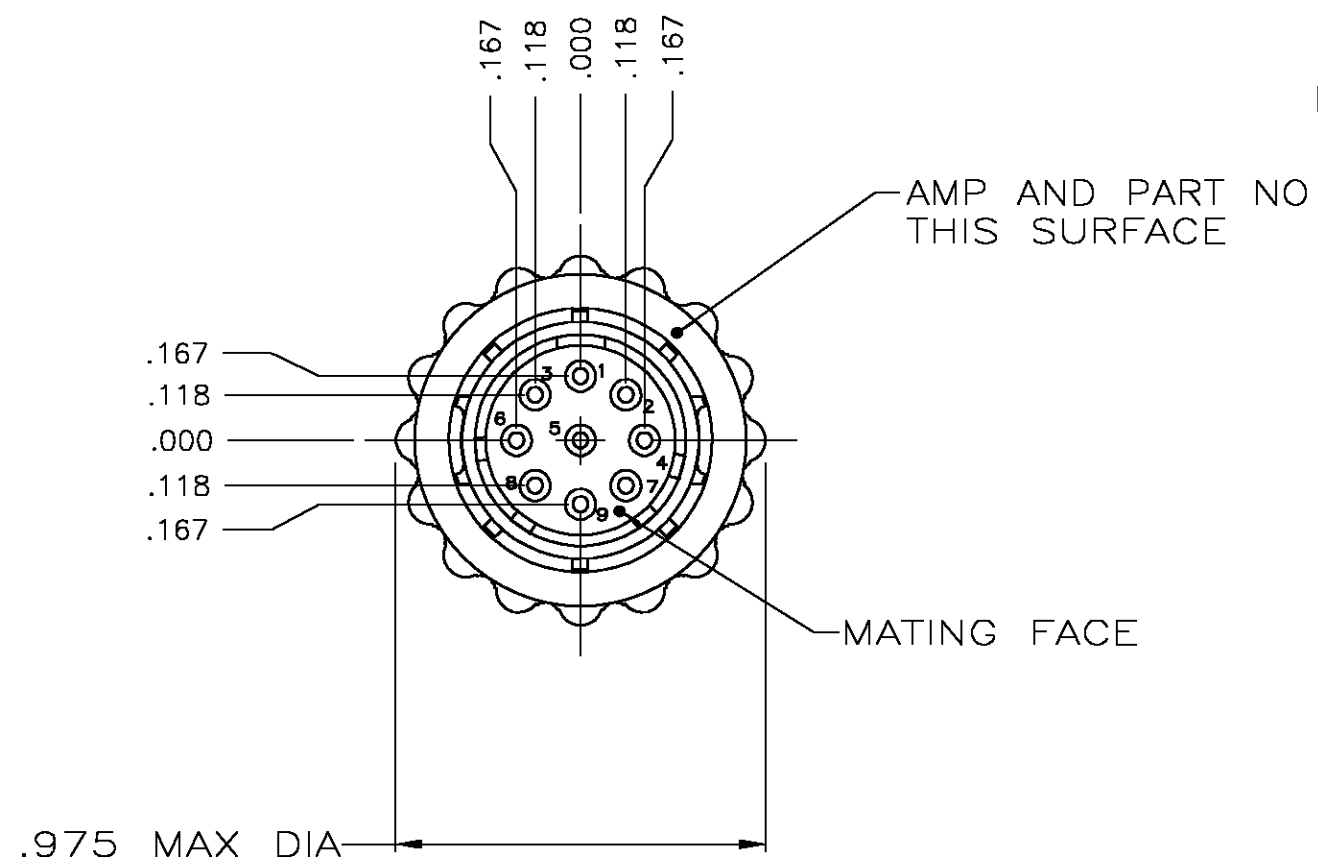


THIS DRAWING IS UNPUBLISHED. RELEASED FOR PUBLICATION
 © COPYRIGHT BY TYCO ELECTRONICS CORPORATION. ALL RIGHTS RESERVED.

LOC	DIST	REVISIONS					
FT	0	P	LTR	DESCRIPTION	DATE	DWN	APVD
		G		REVISED PER 0G3B-0426-03	7/8/03	SS	SH



3	STANDARD	206485-3
	SMALL PACK	206485-2
	STANDARD	206485-1
	PACKAGING	PART NUMBER

- NOTES:
- 1 CONTACT CAVITIES IDENTIFIED BY CHARACTERS ON FRONT AND REAR FACES OF CONNECTOR.
 - 2. WILL ACCEPT (9) SIZE 20 SOCKET CONTACTS.
 - 3 WHITE DOT ONLY APPEARS ON 206485-3 ASSEMBLY.
 - 4 PRELIMINARY PART NUMBER.

THIS DRAWING IS A CONTROLLED DOCUMENT.		DWN A.STAUB BG 4/8/91	Tyco Electronics Corporation Harrisburg, PA 17105			
DIMENSIONS: INCHES		CHK W.G.LENKER 7-23-92				
TOLERANCES UNLESS OTHERWISE SPECIFIED:		APVD -	NAME PLUG ASSEMBLY, STD SEX, SERIES 2, 11-9, CPC			
0 PLC ± - 1 PLC ± - 2 PLC ± - 3 PLC ± .005 4 PLC ± - ANGLES ± -		PRODUCT SPEC 108-10024	SIZE A3	CAGE CODE 00779	DRAWING NO C-206485	RESTRICTED TO -
MATERIAL SEE		FINISH -	WEIGHT -		SCALE 2:1	
CUSTOMER DRAWING			SHEET 1 OF 1		REV G	